

Solid Machined, to Weld-in Model TW25

WIKA Data Sheet TW 95.25

Applications

- Petrochemical, On/Offshore, plant engineering
- For high process loads

Special Features

- Variable welding diameter
- International standard
- Thermowell style
 - Model TW25-A: tapered
 - Model TW25-B: straight
 - Model TW25-C: stepped

Description

Thermowell material

Stainless steel 304/304L, 316/316L, A105, 1.4571, special materials

Process connection

Welding diameter to customer specification
from 25.4 mm to 49.5 mm

Instrument connection

½ NPT female

Bore size

Ø 6.6 mm, Ø 8.5 mm

Insertion length U

To customer specification

Connection length H

To customer specification (standard 45 mm)

Maximum process temperature 1)

Dependent upon thermowell material



Thermowell to weld-in Model TW25

Optional extras

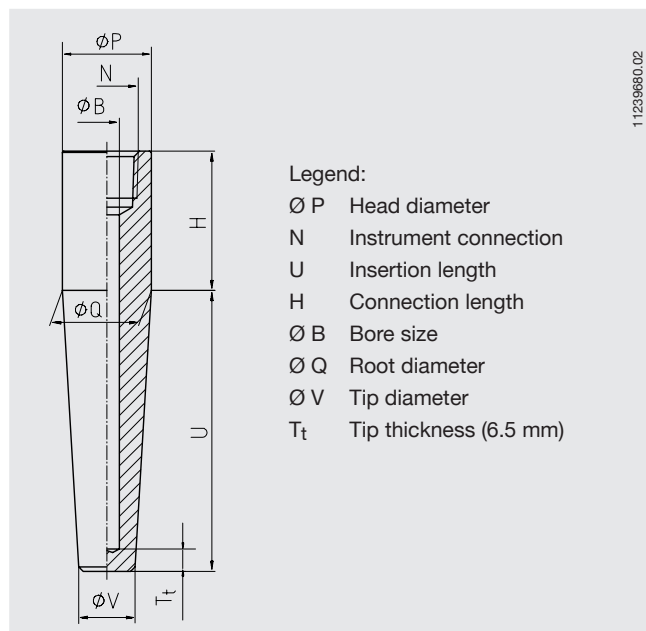
- Other dimensions and materials
- Quality certificates
- Wake frequency calculations in accordance with ASME PTC 19.3 are recommended in critical applications. WIKA offer this as an engineering service. Please find further information in our separate technical information sheet, IN 00.15 "Strength calculation for thermowells"

1) Rating depends on the parameters below:

- Process medium
- Process pressure and temperature
- Flow rate
- Design of thermowell (dimensions, material)

Dimensions in mm

Model TW25-A



Legend:

- Ø P Head diameter
- N Instrument connection
- U Insertion length
- H Connection length
- Ø B Bore size
- Ø Q Root diameter
- Ø V Tip diameter
- T_t Tip thickness (6.5 mm)

Dimensions in mm					Weight in kg (for H = 45 mm)	
Ø P	N	Ø Q	Ø V	Ø B	with U = 100 mm	with L = 560 mm
25.4	½ NPT	25.4	16	6.6 or 8.5	0.4	1.5
35	½ NPT	35	19	6.6 or 8.5	0.7	2.8
49.5	½ NPT	49.5	19	6.6 or 8.5	1.4	4.9

Suitable stem lengths for mechanical thermometers

Connection design	Stem length l ₁
S / 4 / 5	l ₁ = U + H - 10 mm

Modifications may take place and materials specified may be replaced by others without prior notice.
Specifications and dimensions given in this leaflet represent the state of engineering at the time of printing.



WIKAI Alexander Wiegand GmbH & Co. KG
 Alexander-Wiegand-Straße 30
 63911 Klingenberg/Germany
 Phone (+49) 93 72/132-0
 Fax (+49) 93 72/132-406
 E-Mail info@wika.de
 www.wika.de