

Instrument mounting

Mounting flanges, panel cutouts

WIKA data sheet IN 00.04

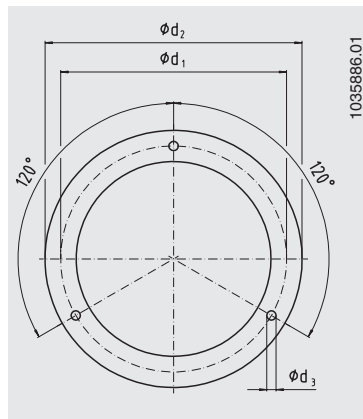
Mounting flanges

Circular housing, without electrical accessories

Front mounting flange for panel mounting

NS	Recommended panel cutout 1)
40	Ø 44 ± 0.3 mm
50	Ø 54 ± 0.3 mm
63	Ø 67 ± 0.3 mm
80	Ø 84 ± 0.3 mm
100	Ø 104 ± 0.5 mm
160	Ø 164 ± 0.5 mm
250	Ø 254 ± 0.5 mm

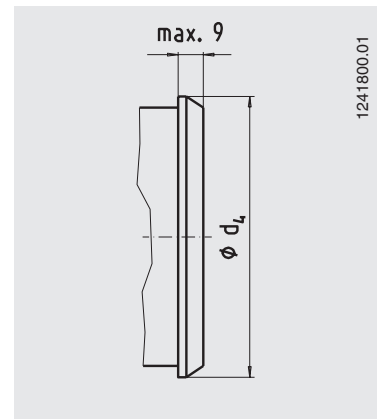
1) With back mount connection



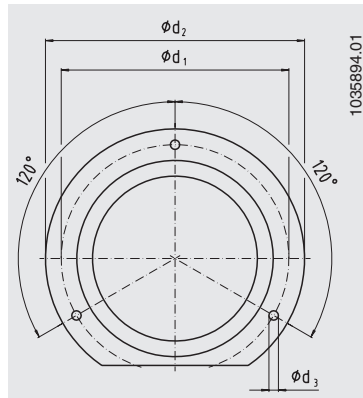
Triangular bezel for panel mounting

NS	Recommended panel cutout 1)
40	Ø 41.5 ± 0.5 mm
50	Ø 51 ± 0.5 mm
63	Ø 64.5 ± 0.5 mm
80	Ø 82 ± 1 mm
100	Ø 102 ± 1 mm
160	Ø 162 ± 1 mm

1) With back mount connection



Rear mounting flange for surface mounting 2)

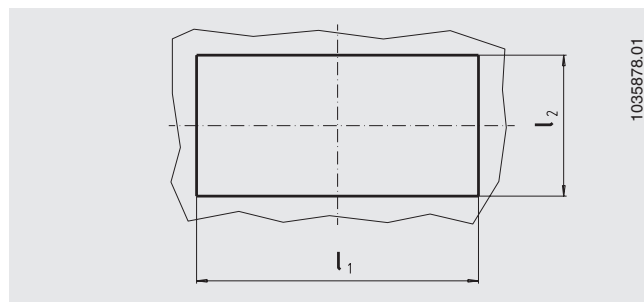


2) For some models this is achieved through three mounting lugs

Nominal size	Dimensions in mm			
	d ₁	d ₂	d ₃	d ₄ max.
40	51	61	3.6	44
50	60	71	3.6	55.5
63	75	85	3.6	69
80	95	110	4.8	88
100	117	132	4.8	108
160	178	196	5.8	168
250	270	285	5.8	-

Panel cutout in accordance with DIN 43700

Square and rectangular housings

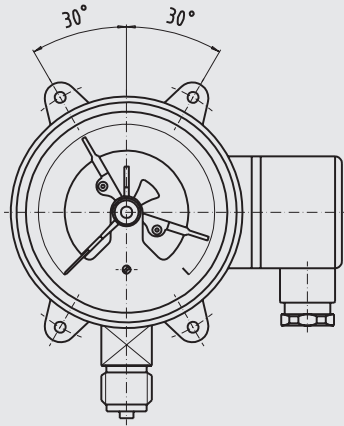


Nominal size	Dimensions in mm			
	l ₁	permissible tolerance	l ₂	permissible tolerance
48 x 24	45	+ 0.6	22.2	+ 0.3
72 x 36	68	+ 0.7	33	+ 0.6
72 x 72	68	+ 0.7	68	+ 0.7
96 x 96	92	+ 0.8	92	+ 0.8
144 x 72	138	+ 1.0	68	+ 0.7
144 x 144	138	+ 1.0	138	+ 1.0

Panel mounting flange

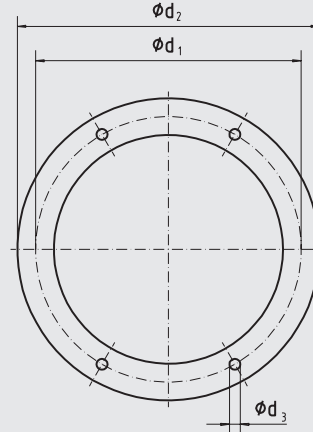
Circular housing, with electrical accessories

Lugs on housing (for securing in the panel)



1294687.01

Corresponding mounting ring (to cover the panel cutout)



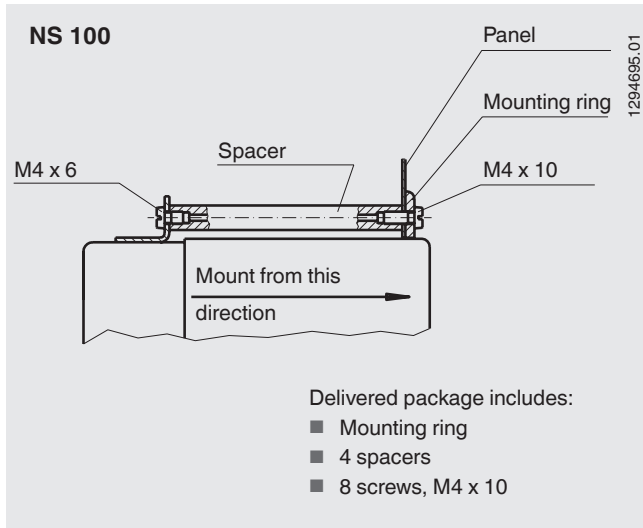
1294687.01

Nominal size	Dimensions in mm			
	d_1	d_2	d_3	Panel cutout ϕ
100	116	132	4.8	105
160	178	196	5.8 ¹⁾	165

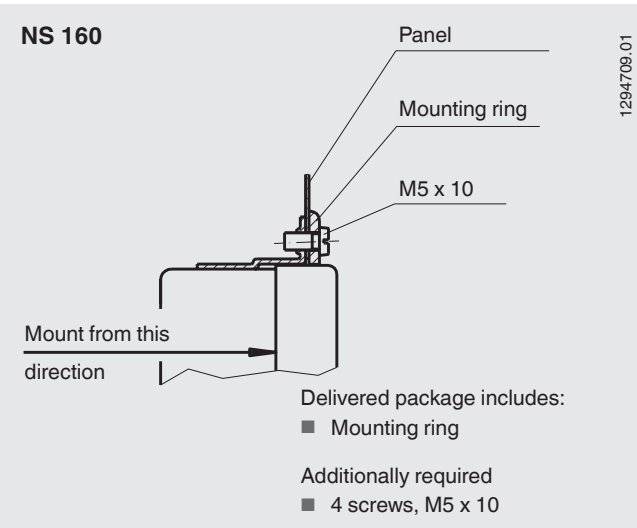
1) Mounting lugs with M5 internal thread

Mounting principle with front mounting flange

with electrical accessories



1294695.01



1294708.01

Note: In addition to this overview, model-specific mounting drawings are available on request.

© 1998 WIKA Alexander Wiegand SE & Co. KG, all rights reserved.
The specifications given in this document represent the state of engineering at the time of publishing.
We reserve the right to make modifications to the specifications and materials.



WIKAL
WIKAL Alexander Wiegand SE & Co. KG
 Alexander-Wiegand-Straße 30
 63911 Klingenberg/Germany
 Tel. (+49) 9372/132-0
 Fax (+49) 9372/132-406
 E-mail info@wika.de
 www.wika.de